



Description: stand-alone flag-style installation emergency lighting fitting, suitable for recessed installation. Viewing distance: 25 m.

Body: unbreakable and self-extinguishing UV-stabilized white polycarbonate body.

Optical group: PMMA polycarbonate **diffuser** with smooth, unbreakable and self-extinguishing dust-proof surface, stabilized against **UV rays**.

Signal pictograms available on request (to be ordered separately).

Protection degree **IP40**.

Wiring: Feeding at 220-240V 0/50/60Hz, battery Ni-Cd 3,6V included. Insulation class II. Suitable for installation on flammable surfaces.



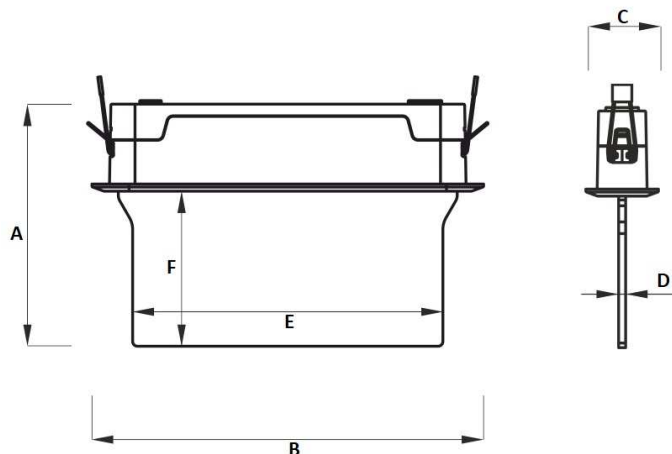
- **CEM-SE** version: non-maintained (the fitting only lights up when there is a power failure). Autonomy 1 hour or 3 hours, battery recharge time 24 hours.
- **CEM-SE/SA** version: (possibility of selecting the operation of the fitting in SE mode - emergency only - or SA - always on). Autonomy 1 hour or 3 hours, battery recharge time 24 hours.
- **AUTOTEST (CEM-SE/SA.AT)** version: Autonomy 1 hour or 3 hours, battery recharge time 12 hours. Two types of tests are performed automatically:
Test 1 (performed monthly): Check the operation of the emergency regime for a duration of 5 minutes. Check the battery discharge current. Check the minimum battery voltage.
Test 2 (performed annually): Check the functioning of the emergency regime for the entire duration of the autonomy. Check the battery discharge current. Check the minimum battery voltage.

Light source:

High efficiency LED modules, colour temperature 6000K, recommended ambient temperature: between 0°C and +40°C.

Regulations: luminaire in conformity with:

- EN 60598, electrical safety
- EN 55015, EN 61000, electromagnetic compatibility
- EN 60529, protection degree
- EN 1838, emergency lighting
- EN 61347, electrical feeding



W	Source	Dimensions [mm]					
		A	B	C	D	E	F
1	LED	206	328	62	6	250	125
2	LED	206	328	62	6	250	125

Codes /Wirings			
CEM-SE AUT.1H	CEM-SE/SA AUT.1H	CEM-SE AUT.3H	CEM-SE/SA AUT.3H
400100001	400100002	400100006	400100007
-	400100003	-	400100008

W	Source	Dimensions [mm]					
		A	B	C	D	E	F
1	LED	206	328	62	6	250	125
2	LED	206	328	62	6	250	125

Codes /Wirings			
CEM-SE/SA.AT AUT.1H	CEM-SE/SA.AT AUT.3H	-	-
400100004	400100009	-	-
400100005	400100010	-	-

PICTOGRAMS

- Sticking pictogram dim. 125x250 mm.

Code **PT/M/x** (substitute x with the code that identifies the pictogram).



03SX



03DX



04SX



04DX



05SX



05DX



02



08

- Versatile pictogram set dim. 125x250 mm.

Code **PT/M/09**



09

- Sticking pictogram down arrow dim. 125x125 mm

Code **PT/M/10**

- Sticking pictogram up arrow dim. 125x125 mm

Code **PT/M/11**



10



11

- Plexiglass set pictogram dim. 125x250 mm.

Code **PTP/M/x** (substitute x with the code that identifies the pictogram).



03SX



03DX



04SX



04DX



05SX



05DX



02



08