



**Description:** Round-shaped LED downlight providing direct adjustable light, complete with frame for recessed installation.

**Body:** body and ring in die-cast aluminum, painted in white RAL 9003 (gray and black colors available on request), UV stabilized, with thermosetting epoxy powders at 180 ° C, after degreasing, phosphating and washing treatment. Integrated passive heatsink. The device is supplied complete with brackets for fixing to the false ceiling.

**Optical group:** internal reflector in faceted aluminum with 55 ° beam for 150mm diameter (20 ° / 30 ° / 45 ° beams available on request), 60 ° for 195mm diameter (15 ° / 24 ° / 36 ° / 45 ° beams available on request).

Controlled light emission optics with luminance values <1500 cd / m<sup>2</sup> for emission angles above 65 ° on all planes (UGR> 19) and therefore compliant to be installed in environments with the use of video terminals according to UNI EN 12464- 1.

Adjustable tilting (30 °) and rotatable (350 °) projector, with lamp holder springs.

Diffuser accessory in transparent glass or opal glass to protect the LED source (IP40).

Protection degree **IP20**.

**Wiring:** power supply 220-240V 50 / 60Hz with rigid cable, sect. 0.50 mm<sup>2</sup> and PVC-HT sheath resistant to 90 ° C according to CEI 20-20 standards.

Insulation class II.

Suitable for installation on normally flammable surfaces.

- LED version with fixed output electronic driver for independent use, included
- LED DALI dimmable version, with DALI standard digital dimmable electronic driver for independent use, included.

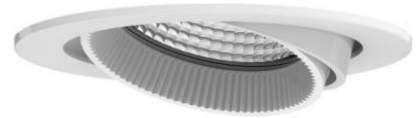
On request available:

- Versions with 1/3 hour autonomy emergency kit.

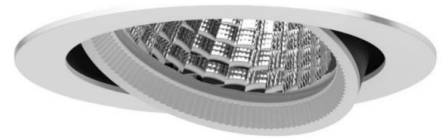
**Luminous source:** High efficiency LEDs arranged on rigid modules, color rendering CRI> 80 or CRI> 90, color temperature 3000K or 4000K, selected LED diode 3 MacAdam ellipses in order to guarantee uniform chromaticity, duration> 50000 hours L80 / F10 at Ta = 25 ° C.

**Regulations:** appliance complies with the following standards:

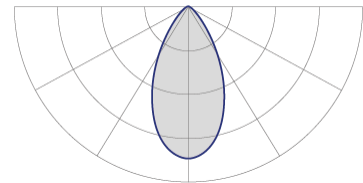
- |                 |                  |                |
|-----------------|------------------|----------------|
| • EN 61547      | • IEC/TR 62471-2 | • EN 60598-2-2 |
| • EN 55015      | • EN 60061-1     | • EN 62471     |
| • EN 61000-3-2  | • EN 62031       | • EN 62560     |
| • EN 61000-3-3  | • EN 62493       | • EN 60968     |
| • EN 61347-1    | • EN 60598-1     | • CEI 76-10    |
| • EN 61347-2-13 | • EN 60598-2-1   | • EN 60529     |



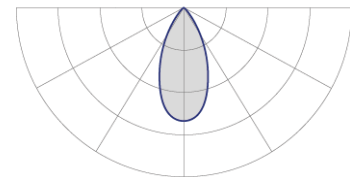
Demonstrative image diam. 150mm



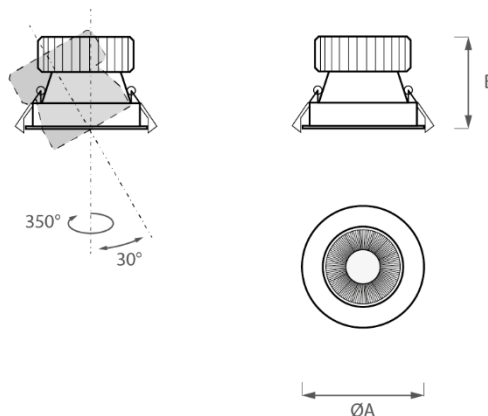
Demonstrative image diam. 195mm



Photometric curve (55°)



Photometric curve (60°)





Power [W]	Color temperature [K]	CRI	Effective flux [lm] *	Efficiency [lm/W]	Energetic class	Dimensions [mm]			Codes/Wiring	
						Ø A	B	Ø incasso	LED	LED DALI
10	3000K	>80	1250	125	A++	150	111	140	575800001	575800004
10	4000K	>80	1300	130	A++	150	111	140	575800007	575800010
19	3000K	>80	2400	126	A++	150	111	140	575800002	575800005
19	4000K	>80	2500	131	A++	150	111	140	575800008	575800011
26	3000K	>80	3250	125	A++	150	111	140	575800003	575800006
26	4000K	>80	3370	129	A++	150	111	140	575800009	575800012
10	3000K	>80	1250	125	A++	195	135	185	575800013	575800017
10	4000K	>80	1300	130	A++	195	135	185	575800021	575800025
19	3000K	>80	2400	126	A++	195	135	185	575800014	575800018
19	4000K	>80	2500	131	A++	195	135	185	575800022	575800026
26	3000K	>80	3250	125	A++	195	135	185	575800015	575800019
26	4000K	>80	3370	129	A++	195	135	185	575800023	575800027
33	3000K	>80	4250	128	A++	195	135	185	575800016	575800020
33	4000K	>80	4450	134	A++	195	135	185	575800024	575800028