



**Description:** modular recessed LED system with direct emission, consisting of an extruded aluminum profile, which can be used both individually and in a continuous row to create cuts of light without interruptions.

**Body:** profile in aluminum alloy 6060 T5, painted in “dry” white color with thermosetting epoxy powders at 180 ° C, after degreasing, phosphating and washing treatment. Other colors according to the RAL range are available on request. Supplied without heads and installation accessories (to be ordered separately).

**Optical group: PMO** optic in microprismatic polycarbonate, UV protected.  
Optic with controlled light emission UGR <19 and therefore compliant to be installed in environments with use of VDTs.  
Glow-wire test 850 ° C.  
Protection degree **IP40**.

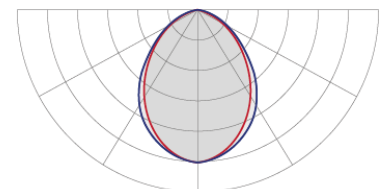
**Wiring:** power supply 220-240V 50 / 60Hz with rigid cable, sect. 0.50 mm<sup>2</sup> e PVC-HT sheath resistant to 90 ° C according to CEI 20-20 standards. Terminal block with maximum allowed cable cross section of 2.5 mm<sup>2</sup>. Insulation class I. Suitable for installation on normally flammable surfaces.

- **LED** version with electronic driver with fixed output (ON / OFF), included.
  - **LED DALI** version with DALI standard digital dimmable electronic driver, included.
- Versions with emergency kit (1/3 hours of autonomy) are available on request.

**Luminous source:** High efficiency LEDs arranged on rigid modules, color rendering CRI > 80 (CRI > 90 available on request), color temperature 3000K or 4000K (LED diode selected 3 MacAdam ellipses in order to guarantee uniform chromaticity), duration > 50000 hours L80 / F10 at Ta = 25 ° C.



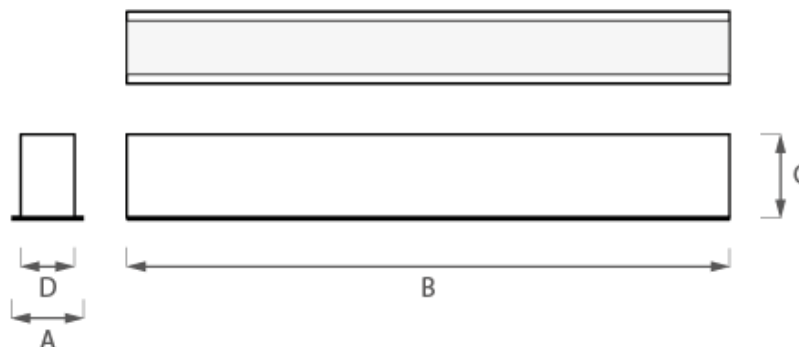
Demonstration image



Photometric curve

**Regulations:** appliance complies with the following standards:

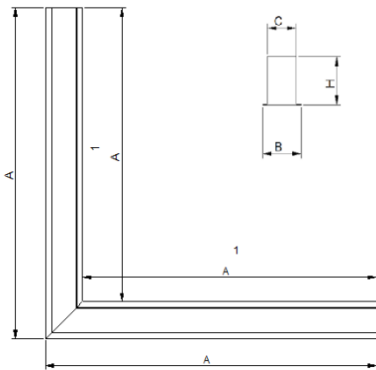
- |                 |                   |                           |
|-----------------|-------------------|---------------------------|
| • EN 61547      | • IEC/TR 62471-2  | • EN 60598-2-2            |
| • EN 55015      | • EN 60061-1      | • EN 62471 (risk class 0) |
| • EN 61000-3-2  | • <u>EN 62031</u> | • EN 62560                |
| • EN 61000-3-3  | • EN 62493        | • EN 60968                |
| • EN 61347-1    | • EN 60598-1      | • CEI 76-10               |
| • EN 61347-2-13 | • EN 60598-2-1    | • EN 60529                |





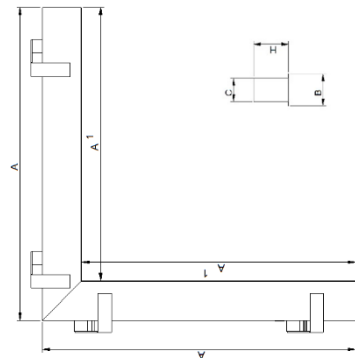
**Linear modules**

Power [W]	Color temperature [K]	CRI	Effective flux [lm] *	Efficiency [lm/W]	Energetic class	Dimensions [mm]					Code / Wiring	
						A	B**	C	D	recessed ***	LED	LED DALI
13	3000	>80	1092	84	A++	561	67	50	78	561x55	661000700	661000701
13	4000	>80	1170	90	A++	561	67	50	78	561x55	661000702	661000703
26	3000	>80	2184	84	A++	1121	67	50	78	1121x55	661000704	661000705
26	4000	>80	2340	90	A++	1121	67	50	78	1121x55	661000706	661000707
39	3000	>80	3276	84	A++	1681	67	50	78	1681x55	661000708	661000709
39	4000	>80	3510	90	A++	1681	67	50	78	1681x55	661000710	661000711
52	3000	>80	4368	84	A++	2241	67	50	78	2241x55	661000712	661000713
52	4000	>80	4680	90	A++	2241	67	50	78	2241x55	661000714	661000715
65	3000	>80	5460	84	A++	2801	67	50	78	2801x55	661000716	661000717
65	4000	>80	5850	90	A++	2801	67	50	78	2801x55	661000718	661000719



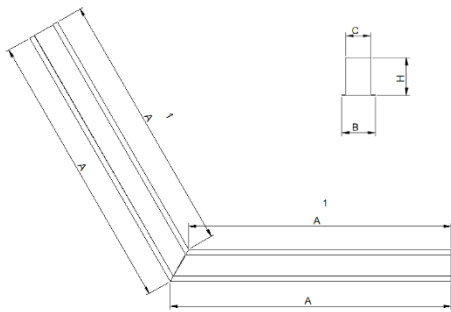
**Corner modules (90°)**

Power [W]	Color temperature [K]	CRI	Effective flux [lm] *	Efficiency [lm/W]	Energetic class	Dimensions [mm]						Code / Wiring	
						A*	A1*	B	C	H	recessed***	LED	LED DALI
26	3000	>80	2184	84	A++	600	533	67	50	78	592X542x55	661000789	661000791
26	4000	>80	2340	90	A++	600	533	67	50	78	592X542x55	661000790	661000792

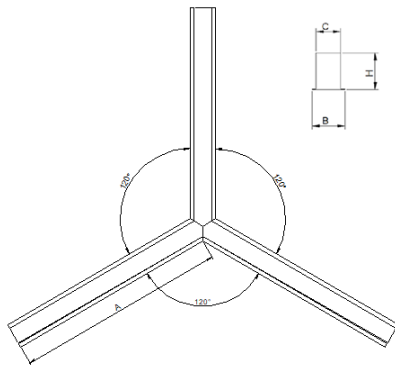


**Wall / ceiling corner modules (90°)**

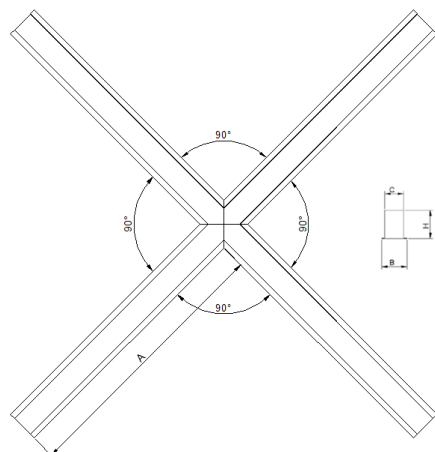
Power [W]	Color temperature [K]	CRI	Effective flux [lm] *	Efficiency [lm/W]	Energetic class	Dimensions [mm]						Code / Wiring	
						A*	A1*	B	C	H	recessed ***	LED	LED DALI
26	3000	>80	2184	84	A++	620	540	67	50	78	542X542X55	661000793	661000795
26	4000	>80	2340	90	A++	620	540	67	50	78	542X542X55	661000794	661000796



Corner modules (120°)						Dimensions [mm]					Code / Wiring		
Power [W]	Color temperature [K]	CRI	Effective flux [lm] *	Efficiency [lm/W]	Energetic class	A*	A1*	B	C	H	recessed ***	LED	LED DALI
26	3000	>80	2184	84	A++	585	546	67	50	78	582X552X55	661000797	661000799
26	4000	>80	2340	90	A++	585	546	67	50	78	582X552X55	661000798	661000800



Y Geometry						Dimensions [mm]					Code / Wiring	
Power [W]	Color temperature [K]	CRI	Effective flux [lm] *	Efficiency [lm/W]	Energetic class	A*	B	C	H	recessed ***	LED	LED DALI
39	3000	>80	3276	84	A++	545	67	50	78	552X55	661000801	661000803
39	4000	>80	3510	90	A++	545	67	50	78	552X55	661000802	661000804



X Geometry						Dimensions [mm]					Code / Wiring	
Power [W]	Color temperature [K]	CRI	Effective flux [lm] *	Efficiency [lm/W]	Energetic class	A*	B	C	H	recessed***	LED	LED DALI
52	3000	>80	4368	84	A++	535	67	50	78	545X55	661000805	661000807
52	4000	>80	4680	90	A++	535	67	50	78	545X55	661000806	661000808



\* Dimensions relative to the module only - to add the headers at the beginning and end of the line (+10 mm each)

\*\* Actual flow may have a tolerance of  $\pm 10\%$ .

\*\*\* Add + 5 mm to the total sum of the length of all modules placed in a continuous row.

\*\*\*\* The product is supplied as standard without end caps, to be ordered separately.

#### INSTALLATION ACCESSORIES



**COD. TC661004**

End caps in aluminum painted in DRY WHITE color.  
Fixing screws supplied.  
2-piece kit.



**COD. KFS661000**

Alignment bracket for installation in a continuous line, made of galvanized steel.  
2-piece kit.